

CARATTERISTICHE - TECHNICAL FEATURES

LA DISTRIBUZIONE INTELLIGENTE

LA LINEA **SELF 70** OFFRE UNA VASTA GAMMA DI ELEMENTI PER UNA **DISTRIBUZIONE A LIBERO SERVIZIO**. LA GAMMA E' COSTITUITA DA ELEMENTI MODULARI CHE PERMETTONO UN **UTILIZZO ESTREMAMENTE FLESSIBILE E FUNZIONALE**.

LE LINEE GUIDA DEL PROGETTO SONO:

LA QUALITA', LE PRESTAZIONI, L'IGIENICITA', LA COMPONIBILITA'.

CARATTERISTICHE TECNICHE:

Costruzione interamente in acciaio inox AISI 304 18/10;

Piani di lavoro in acciaio inossidabile AISI 304 18/10 di spessore 15/10, ed H mm 70;

Unione fra i moduli con sistema "IN APPOGGIO", con fasce di chiusura;

Vasche ed involucri raggiati su tutti i lati altamente pulibili;

Gruppi refrigeranti a 2 circuiti ove è presente il vano refrigerato;

Sbrinamento unico programmabile con vaschetta raccogli condensa sotto il vano;

Sistema di refrigerazione statica con serpentina a contatto vasca;

Vetrine refrigerate con illuminazione di serie;

Sistema di riscaldamento statico con resistenza a contatto vasca;

THE CLEVER DISTRIBUTION

*THE **SELF 70** LINE OFFERS A WIDE RANGE OF PRODUCTS FOR A **FREE SERVICE DISTRIBUTION**. THE RANGE CONSISTS OF MODULAR ELEMENTS WHICH ALLOW A **VERY FLEXIBLE AND FUNCTIONAL USE**.*

PROJECT HEADLINES ARE:

QUALITY, PERFORMANCES, HYGIENICITY, MODULARITY.

TECHNICAL CHARACTERISTICS:

Entirely stainless steel AISI 304 - 18/10 structure;

Stainless steel AISI 304 working tops, 12/10 thickness and 50mm height;

Support system module conjunction, with closing rings;

Rounded edges perfectly cleanable tanks and recessed tops;

Refrigerated compartment with double circuit refrigerating units;

Unique programmable defrosting system with sweat tray underneath the compartment;

Static refrigeration system with tank touching coil;

Refrigerated display with serial lighting system;

Static heating system with tank touching heating element;

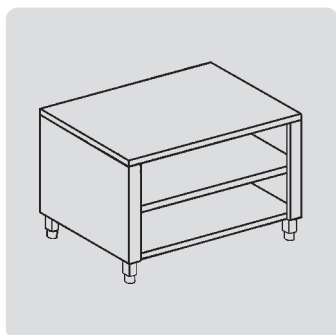
CARATTERISTICHE - TECHNICAL FEATURES

<p>Regolazioni temperature (elementi refrigerati, vetrine e bagnomaria) con termostato digitale;</p> <p>Carico e scarico acqua (elementi bagnomaria) con sistema a valvola manuale;</p> <p><u>Ampia gamma di accessori di completamento:</u></p> <p>Scorri vassoio in tubolare inossidabile altamente igienici;</p> <p>Strutture ad 1 o 2 piani in acciaio o cristallo temperato;</p> <p>Illuminazione e riscaldatori per sovrastrutture;</p> <p>Zoccolatura in acciaio inossidabile di finitura;</p> <p>PANNELLATURA IN ACCIAIO INOX AISI 304 18/10, di serie.</p>	<p><i>Digital thermostat temperature control (refrigerated elements, displays and bain-marie);</i></p> <p><i>Manual-valved water inlet and outlet system (bain-marie elements);</i></p> <p><i><u>Wide range of completing accessories:</u></i></p> <p><i>Highly hygienic stainless steel tubular tray slide;</i></p> <p><i>Single or double steel or toughened glass structures;</i></p> <p><i>Superstructures lighting and heating systems;</i></p> <p><i>Stainless steel finishing plinth;</i></p> <p>SERIAL STAINLESS STEEL AISI 304 - 18/10 PA.</p>
--	--

DISTRIBUZIONE - SELF SERVICE

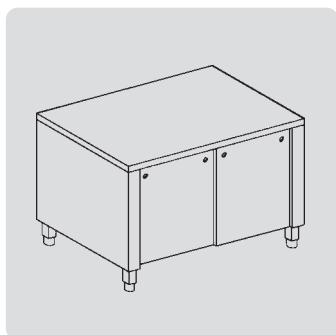
MOD.	A x B x C cm	kg	m ³	GAS	220/240	380/400	EURO
------	--------------	----	----------------	-----	---------	---------	------

ELEMENTI NEUTRI SU VANO A GIORNO NEUTRAL UNIT



MOD.	A x B x C cm	kg	m ³	GAS	220/240	380/400	EURO	
EN87	80 x 70 x 90	85	0,6	kw	-	kw	-	€ 962,00
EN127	120 x 70 x 90	95	1	-	-	-	1.102,00	
EN157	150 x 70 x 90	105	1,3	-	-	-	1.245,00	

ELEMENTI NEUTRI SU ARMADIO NEUTRO NEUTRAL UNIT ON CUPBOARD



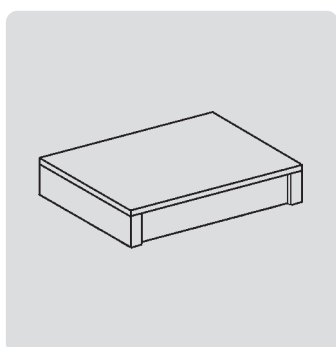
Elemento neutro su armadio 2 porte a battente Neutral unit on cupboard

MOD.	A x B x C cm	kg	m ³	GAS	220/240	380/400	EURO	
EA87	80 x 70 x 90	93	0,6	kw	-	kw	-	€ 1.244,00

Elemento neutro su armadio 2 ante scorrevoli Neutral unit on cupboard

MOD.	A x B x C cm	kg	m ³	GAS	220/240	380/400	EURO	
EA127	120 x 70 x 90	110	1	kw	-	kw	-	€ 1.403,00
EA157	150 x 70 x 90	120	1,3	-	-	-	1.529,00	

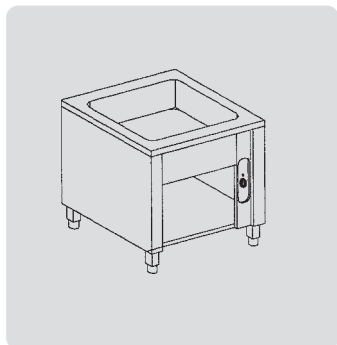
ELEMENTI NEUTRI TOP NEUTRAL TOP ELEMENT



MOD.	A x B x C cm	kg	m ³	GAS	220/240	380/400	EURO	
EN127T	120 x 70 x 30	55	0,4	kw	-	kw	-	€ 915,00
EN157T	150 x 70 x 30	60	0,4	-	-	-	1.085,00	

MOD.	A x B x C cm	kg	m ³	GAS	220/240	380/400	EURO
------	--------------	----	----------------	-----	---------	---------	------

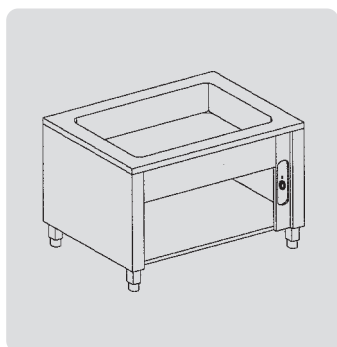
ELEMENTI BAGNOMARIA ELETTRICI SU VANO A GIORNO FOOD WARMER UNIT ON OPEN CUPBOARD



Vasca 2 GN 1/1

Food warmer unit 2 GN 1/1 on open cupboard

EC8701	80 x 70 x 90	78	0,6	kw	-	kw	2,4	kw	-	€	2.225,00
---------------	--------------	----	-----	----	---	----	-----	----	---	---	-----------------



Vasca 3 GN 1/1

Food warmer unit 3 GN 1/1 on open cupboard

EC12701	120 x 70 x 90	85	1	kw	-	kw	-	kw	3,6	€	2.863,00
----------------	---------------	----	---	----	---	----	---	----	-----	---	-----------------

Vasca 4 GN 1/1

Food warmer unit 4 GN 1/1 on open cupboard

EC15701	150 x 70 x 90	96	1,3	kw	-	kw	-	kw	3,6	€	2.992,00
----------------	---------------	----	-----	----	---	----	---	----	-----	---	-----------------

Vasca 6 GN 1/1

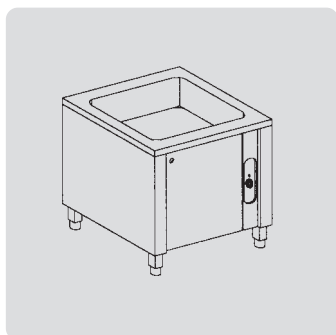
Food warmer unit 6 GN 1/1 on open cupboard

EC23701	230 x 70 x 90	110	1,9	kw	-	kw	-	kw	7,2	€	4.509,00
----------------	---------------	-----	-----	----	---	----	---	----	-----	---	-----------------

DISTRIBUZIONE - SELF SERVICE

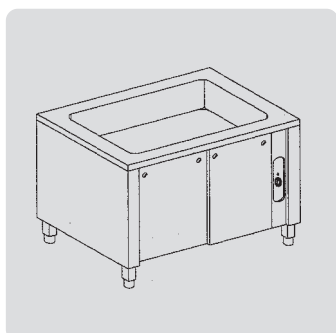
MOD.	A x B x C cm	kg	m ³	GAS	220/240	380/400	EURO
------	--------------	----	----------------	-----	---------	---------	------

ELEMENTI BAGNOMARIA ELETTRICI SU ARMADIO NEUTRO FOOD WARMER UNIT WITH NEUTRAL CUPBOARD



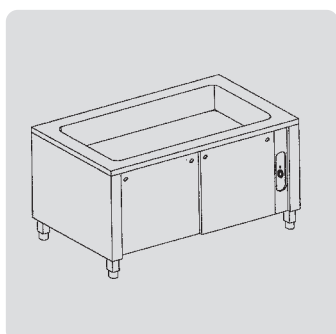
Vasca 2 GN 1/1 - 2 porte a battente
Food warmer unit 2 GN 1/1 with neutral cupboard

EC8702	80 x 70 x 90	95	0,6	kw	-	kw	2,4	kw	-	€	2.293,00
---------------	--------------	----	-----	----	---	----	-----	----	---	---	-----------------



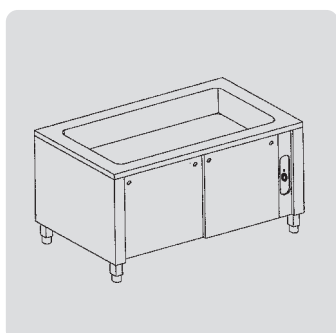
Vasca 3 GN 1/1 - 2 ante scorrevoli
Food warmer unit 3 GN 1/1 with neutral cupboard

EC12702	120 x 70 x 90	115	1	kw	-	kw	-	kw	3,6	€	3.085,00
----------------	---------------	-----	---	----	---	----	---	----	-----	---	-----------------



Vasca 4 GN 1/1 - 2 ante scorrevoli
Food warmer unit 4 GN 1/1 with neutral cupboard

EC15702	150 x 70 x 90	130	1,3	kw	-	kw	-	kw	3,6	€	3.281,00
----------------	---------------	-----	-----	----	---	----	---	----	-----	---	-----------------

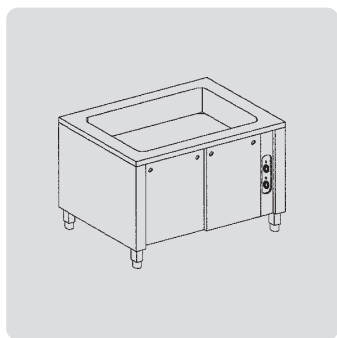


Vasca 6 GN 1/1 - 2 ante scorrevoli
Food warmer unit 6 GN 1/1 with neutral cupboard

EC23702	230 x 70 x 90	140	1,9	kw	-	kw	-	kw	7,2	€	4.786,00
----------------	---------------	-----	-----	----	---	----	---	----	-----	---	-----------------

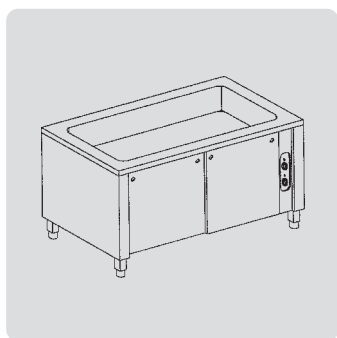
MOD.	A x B x C cm	kg	m ³	GAS	220/240	380/400	EURO
------	--------------	----	----------------	-----	---------	---------	------

ELEMENTI BAGNOMARIA ELETTRICI SU ARMADIO RISCALDATO FOOD WARMER UNIT WITH HOT CUPBOARD



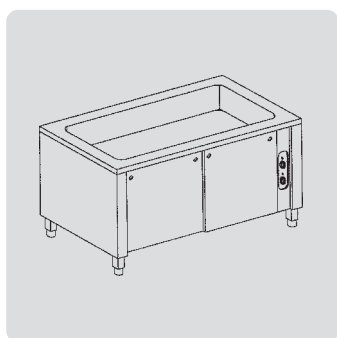
Vasca 3 GN 1/1 - 2 ante scorrevoli
Food warmer unit with hot cupboard 3 GN 1/1

EC12703	120 x 70 x 90	118	1	kw	kw	kw	€	3.317,00
				-	-	5,2		



Vasca 4 GN 1/1 - 2 ante scorrevoli
Food warmer unit with hot cupboard 4 GN 1/1

EC15703	150 x 70 x 90	122	1,3	kw	kw	kw	€	3.617,00
				-	-	5,2		



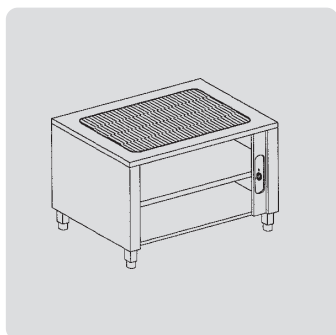
Vasca 6 GN 1/1 - 2 ante scorrevoli
Food warmer unit with hot cupboard 6 GN 1/1

EC23703	230 x 70 x 90	130	1,9	kw	kw	kw	€	5.132,00
				-	-	10,4		

DISTRIBUZIONE - SELF SERVICE

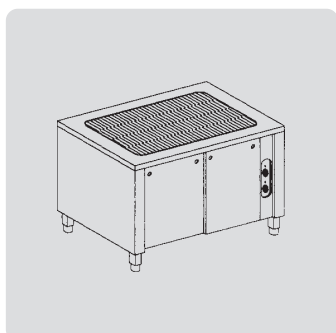
MOD.	A x B x C cm	kg	m ³	GAS	220/240	380/400	EURO
------	--------------	----	----------------	-----	---------	---------	------

ELEMENTI CON PIANO RISCALDANTE IN VETRO TEMPERATO ELEMENT WITH TEMPERED GLASS HEATING PLATE ON OPEN CUPBOARD



Vano a giorno
on open cupboard

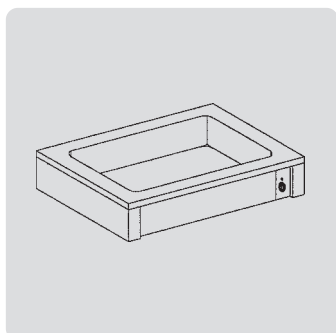
MOD.	A x B x C cm	kg	m ³	kW	kW	kW	€
EV12701	120 x 70 x 90	105	1	-	-	2,4	3.323,00
EV15701	150 x 70 x 90	115	1,3	-	-	2,4	3.783,00



Armadio riscaldato / 2 ante scorrevoli
Heated cupboard / 2 sliding doors

MOD.	A x B x C cm	kg	m ³	kW	kW	kW	€
EV12703	120 x 70 x 90	115	1	-	-	4	3.851,00
EV15703	150 x 70 x 90	130	1,3	-	-	4	4.301,00

ELEMENTI BAGNOMARIA TOP TOP BAIN-MARIE ELEMENT



Vasca 3 GN 1/1
Top bain-marie element 3 GN 1/1

MOD.	A x B x C cm	kg	m ³	kW	kW	kW	€
EC127T	120 x 70 x 30	55	0,4	-	-	3,6	1.675,00

Vasca 4 GN 1/1
Top bain-marie element 4 GN 1/1

MOD.	A x B x C cm	kg	m ³	kW	kW	kW	€
EC157T	150 x 70 x 30	60	0,5	-	-	3,6	1.795,00

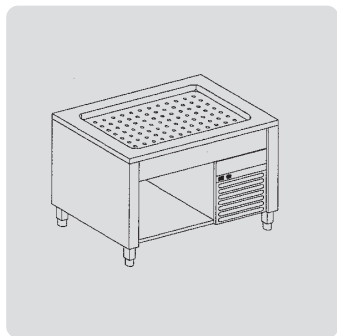
Vasca 6 GN 1/1
Top bain-marie element 6 GN 1/1

MOD.	A x B x C cm	kg	m ³	kW	kW	kW	€
EC237T	230 x 70 x 30	65	0,8	-	-	7,2	3.146,00

MOD.	A x B x C cm	kg	m ³	GAS	220/240	380/400	EURO
------	--------------	----	----------------	-----	---------	---------	------

ELEMENTI REFRIGERATI CON PIANO

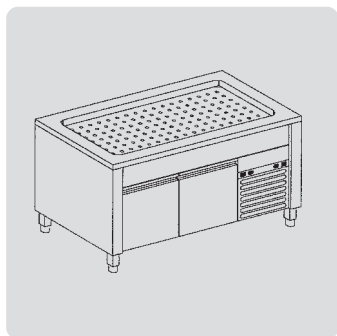
REFRIGERATED UNIT WITH REFRIGERATED RECESSED TOP ON OPEN CUPBOARD



Vano a giorno

On open cupboard

EF12701	120 x 70 x 90	116	1	kw	-	0,5	kw	-	€	3.694,00
EF15701	150 x 70 x 90	120	1,3	-	-	0,5	-	-	-	3.925,00



Armadio refrigerato

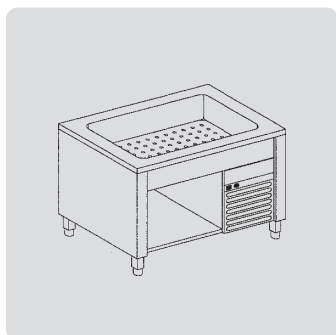
Refrigerated cupboard

EF15703	150 x 70 x 90	125	1,3	kw	-	0,5	kw	-	€	4.673,00
----------------	---------------	-----	-----	----	---	-----	----	---	---	-----------------

DISTRIBUZIONE - SELF SERVICE

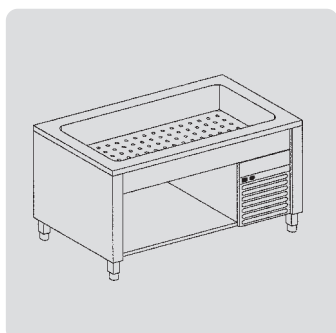
MOD.	A x B x C cm	kg	m ³	GAS	220/240	380/400	EURO
------	--------------	----	----------------	-----	---------	---------	------

ELEMENTI REFRIGERATI CON VASCA REFRIGERATED UNIT WITH COLD PAN ON OPEN CUPBOARD



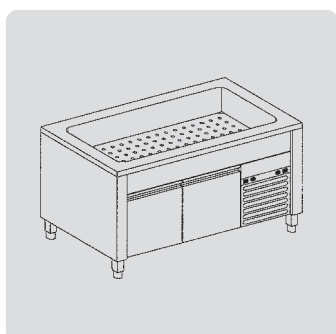
Vasca 3 GN 1/1 - vano a giorno
Refrigerated unit with cold pan 3 GN 1/1 on open cupboard

ER12701	120 x 70 x 90	116	1	kw	-	0,5	kw	-	€	4.116,00
----------------	---------------	-----	---	----	---	-----	----	---	---	-----------------



Vasca 4 GN 1/1 - vano a giorno
Refrigerated unit with cold pan 4 GN 1/1 on open cupboard

ER15701	150 x 70 x 90	120	1,3	kw	-	0,5	kw	-	€	4.555,00
----------------	---------------	-----	-----	----	---	-----	----	---	---	-----------------



Vasca 4 GN 1/1 - armadio refrigerato
Refrigerated element with cold pan 4 GN 1/1 on refrigerated cupboard

ER15703	150 x 70 x 90	128	1,3	kw	-	0,5	kw	-	€	4.900,00
----------------	---------------	-----	-----	----	---	-----	----	---	---	-----------------

MOD.	A x B x C cm	kg	m ³	GAS	220/240	380/400	EURO
------	--------------	----	----------------	-----	---------	---------	------

ELEMENTI REFRIGERATI CON PIANO E VETRINA

REFRIGERATED VITRINE WITH REFRIGERATED RECESSED TOP ON OPEN CUPBOARD



Vano a giorno

On open cupboard

EFV15701	150 x 70 x 160	165	2,4	kw	-	kw	0,6	kw	-	€	7.730,00
-----------------	----------------	-----	-----	----	---	----	-----	----	---	---	-----------------



Armadio refrigerato

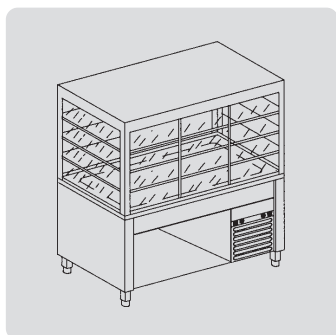
Refrigerated cupboard

EFV15703	150 x 70 x 160	173	2,4	kw	-	kw	0,6	kw	-	€	8.947,00
-----------------	----------------	-----	-----	----	---	----	-----	----	---	---	-----------------

DISTRIBUZIONE - SELF SERVICE

MOD.	A x B x C cm	kg	m ³	GAS	220/240	380/400	EURO
------	--------------	----	----------------	-----	---------	---------	------

ELEMENTI REFRIGERATI CON VASCA E VETRINA REFRIGERATED VITRINE WITH COLD PAN ON OPEN COUNTER



Vasca 4 GN1/1 / vano a giorno
Bowl 4 GN1/1 / on open cupboard

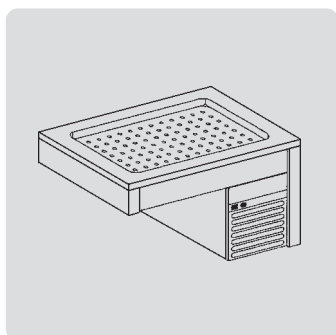
ERV15701	150 x 70 x 90	165	2,4	kw	-	kw	0,6	kw	-	€	8.512,00
-----------------	---------------	-----	-----	----	---	----	-----	----	---	---	-----------------



Vasca 4 GN1/1 / vano refrigerato
Bowl 4 GN1/1 / refrigerated cupboard

ERV15703	150 x 70 x 160	173	2,4	kw	-	kw	0,6	kw	-	€	9.730,00
-----------------	----------------	-----	-----	----	---	----	-----	----	---	---	-----------------

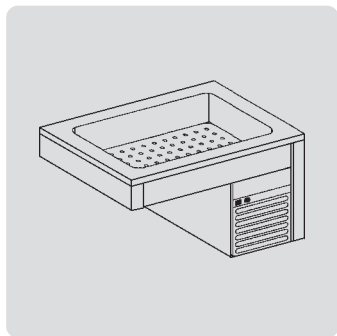
ELEMENTI REFRIGERATI TOP CON PIANO (GRUPPO MOTORE INCORPORATO) REFRIGERATED UNIT WITH REFRIGERATED TOP



EF127T	120 x 70 x 76	95	0,8	kw	-	kw	0,5	kw	-	€	2.902,00
EF157T	150 x 70 x 76	110	1	-	-	kw	0,5	-	-	€	3.161,00

MOD.	A x B x C cm	kg	m ³	GAS	220/240	380/400	EURO
------	--------------	----	----------------	-----	---------	---------	------

ELEMENTI REFRIGERATI TOP CON VASCA (GRUPPO MOTORE INCORPORATO) REFRIGERATED UNIT WITH COLD PAN



Vasca 3 GN 1/1

Refrigerated unit with cold pan 3 GN 1/1

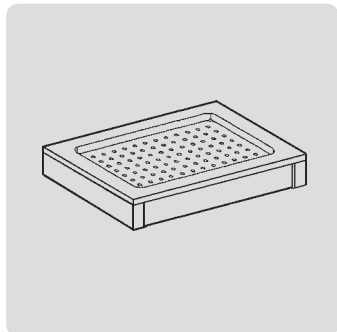
ER127T	120 x 70 x 30	95	0,8	kw	-	kw	0,5	kw	-	€	3.009,00
--------	---------------	----	-----	----	---	----	-----	----	---	---	----------

Vasca 4 GN 1/1

Refrigerated unit with cold pan 4 GN 1/1

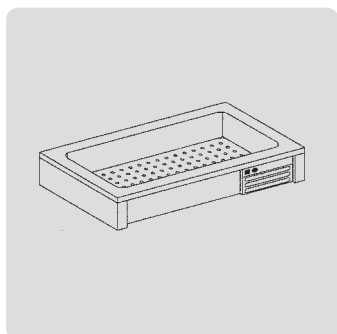
ER157T	150 x 70 x 76	110	1	kw	-	kw	0,5	kw	-	€	3.399,00
--------	---------------	-----	---	----	---	----	-----	----	---	---	----------

ELEMENTI REFRIGERATI TOP CON PIANO (GRUPPO MOTORE REMOTO) REFRIGERATED UNIT WITH REFRIGERATED TOP



EF127TR	120 x 70 x 30	55	0,4	kw	-	kw	0,1	kw	-	€	1.808,00
EF157TR	150 x 70 x 30	60	0,5	-	-	kw	0,1	-	-	€	2.002,00

ELEMENTI REFRIGERATI TOP CON VASCA (GRUPPO MOTORE REMOTO) REFRIGERATED UNIT WITH COLD PAN



Vasca 3 GN 1/1

Refrigerated unit with cold pan 3 GN 1/1

ER127TR	120 x 70 x 30	55	0,4	kw	-	kw	0,1	kw	-	€	2.080,00
---------	---------------	----	-----	----	---	----	-----	----	---	---	----------

Vasca 4 GN 1/1

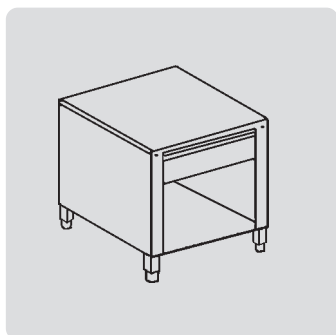
Top refrigerated unit with well 4 GN 1/1

ER157TR	150 x 70 x 30	60	0,5	kw	-	kw	0,1	kw	-	€	2.383,00
---------	---------------	----	-----	----	---	----	-----	----	---	---	----------

DISTRIBUZIONE - SELF SERVICE

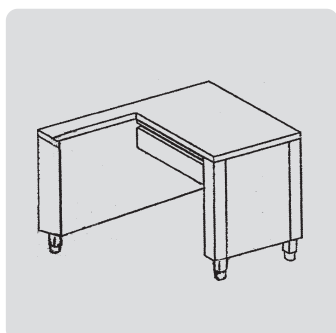
MOD.	A x B x C cm	kg	m ³	GAS	220/240	380/400	EURO
------	--------------	----	----------------	-----	---------	---------	------

ELEMENTI CASSA (COMPLETI DI CASSETTO) CASHIER UNIT



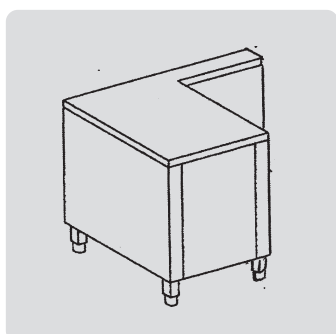
Cassa centrale
Cashier unit

EC7	80 x 70 x 90	85	0,6	kw	-	kw	-	kw	-	€	1.057,00
------------	--------------	----	-----	----	---	----	---	----	---	---	-----------------



Cassa destra
Right side cashier unit

ECD7	120 x 70 x 90	72	1	kw	-	kw	-	kw	-	€	1.589,00
-------------	---------------	----	---	----	---	----	---	----	---	---	-----------------



Cassa sinistra
Left side cashier unit

ECS7	120 x 70 x 90	72	1	kw	-	kw	-	kw	-	€	1.589,00
-------------	---------------	----	---	----	---	----	---	----	---	---	-----------------

MOD.	A x B x C cm	kg	m ³	GAS	220/240	380/400	EURO
------	--------------	----	----------------	-----	---------	---------	------

ELEMENTI PER ANGOLO CORNER UNIT



Angolo interno 90°
Corner unit internal 90°

EAI907	102,5 x 70 x 90	80	0,9	kw	-	kw	-	kw	-	€	957,00
---------------	-----------------	----	-----	----	---	----	---	----	---	---	---------------



Angolo interno 45°
Corner unit internal 45°

EAI457	70 x 70 x 90	70	0,6	kw	-	kw	-	kw	-	€	892,00
---------------	--------------	----	-----	----	---	----	---	----	---	---	---------------



Angolo esterno 90°
Corner unit external 90°

EAE907	102,5 x 70 x 90	80	0,9	kw	-	kw	-	kw	-	€	1.060,00
---------------	-----------------	----	-----	----	---	----	---	----	---	---	-----------------



Angolo esterno 45°
Corner unit external 45°

EAE457	79 x 70 x 90	70	0,6	kw	-	kw	-	kw	-	€	967,00
---------------	--------------	----	-----	----	---	----	---	----	---	---	---------------

DISTRIBUZIONE - SELF SERVICE

MOD.	A x B x C cm	kg	m ³	GAS	220/240	380/400	EURO
------	--------------	----	----------------	-----	---------	---------	------

ELEMENTI DISTRIBUZIONE

TRAY, CUTLERY BOX AND BREAD ROLL DISPENSER UNIT



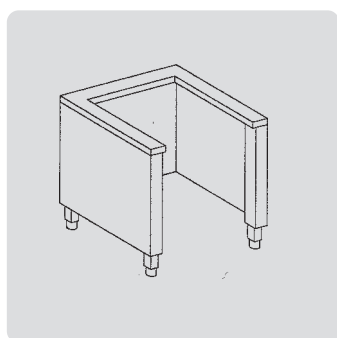
Portavassoi, posateria, tramoggia pane

Tray, cutlery box and bread roll dispenser unit

PVPPE7	80 x 70 x 149	70	1,2	kw	-	kw	-	kw	-	€	1.712,00
--------	---------------	----	-----	----	---	----	---	----	---	---	----------

ELEMENTI PER INSERIMENTO CARRELLI

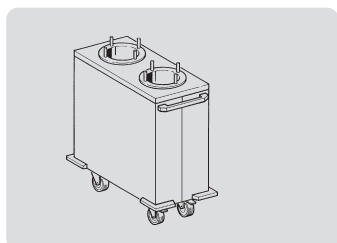
FRONT UNITS FOR TROLLEYS



ECR87	80 x 70 x 90	80	0,6	kw	-	kw	-	kw	-	€	1.158,00
ECR127	120 x 70 x 90	90	1	-	-	-	-	-	-	€	1.224,00
ECR157	150 x 70 x 90	100	1	-	-	-	-	-	-	€	1.374,00

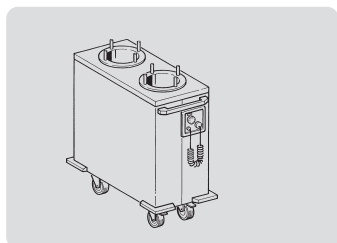
MOD.	A x B x C cm	kg	m ³	GAS	220/240	380/400	EURO
------	--------------	----	----------------	-----	---------	---------	------

CARRELLI PER LINEE SELF SERVICE DISPENSER



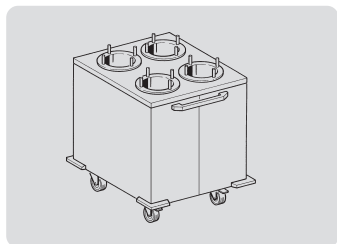
Carrello portapiatti - 2 colonne - 90 piatti - neutro
Dish dispenser neutral

CAP2N	40 x 70 x 90	-	-	kw	kw	kw	€	2.376,00
--------------	--------------	---	---	----	----	----	---	-----------------



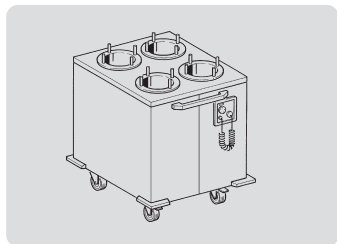
Carrello portapiatti - 2 colonne - 90 piatti - riscald.
Heated dish dispenser

CAP2	40 x 70 x 90	-	-	kw	kw	kw	€	2.745,00
-------------	--------------	---	---	----	----	----	---	-----------------



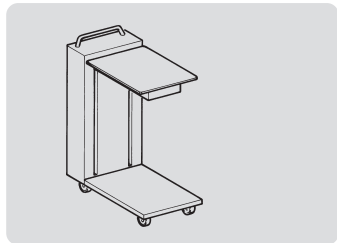
Carrello portapiatti - 4 colonne - 180 piatti - neutro
Dish dispenser neutral

CAP4N	80 x 70 x 90	-	-	kw	kw	kw	€	3.690,00
--------------	--------------	---	---	----	----	----	---	-----------------



Carrello portapiatti - 4 colonne - 180 piatti - riscald.
Heated dish dispenser

CAP4	80 x 70 x 90	-	-	kw	kw	kw	€	4.500,00
-------------	--------------	---	---	----	----	----	---	-----------------



Carrello vassoi a livello costante
Trays elevator trolley

CAV2	40 x 70 x 90	-	-	kw	kw	kw	€	2.495,00
-------------	--------------	---	---	----	----	----	---	-----------------



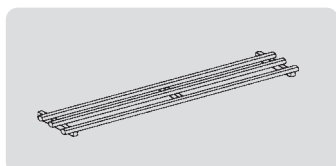
Carrello cesti a livello costante
Recks elevator trolley

CAV4	65 x 77 x 90	-	-	kw	kw	kw	€	2.803,00
-------------	--------------	---	---	----	----	----	---	-----------------

DISTRIBUZIONE - SELF SERVICE

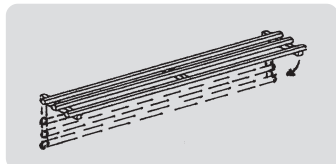
MOD.	A x B x C cm	kg	m ³	GAS	220/240	380/400	EURO
------	--------------	----	----------------	-----	---------	---------	------

ELEMENTI SCORRIVASSOIO IN TUBOLARE INOX - SCORRIVASSOIO LINEARE LINEAR TRAY SLIDE



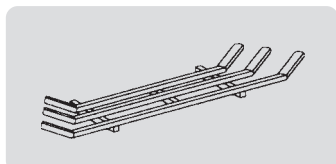
BSS7002	80 x 30	-	-	kw	kw	kw	€	185,00
BSS7003	120 x 30	-	-	-	-	-	-	210,00
BSS7004	150 x 30	-	-	-	-	-	-	248,00
BSS7040	230 x 30	-	-	-	-	-	-	338,00

SCORRIVASSOIO LINEARE RIBALTABILE LINEAR TRAY SLIDE



BSS7049	80 x 30	-	-	kw	kw	kw	€	366,00
BSS7050	120 x 30	-	-	-	-	-	-	389,00
BSS7051	150 x 30	-	-	-	-	-	-	422,00
BSS7052	230 x 30	-	-	-	-	-	-	683,00

SCORRIVASSOIO ANGOLO ESTERNO EXTERNAL CORNER TRAY SLIDE



Scorriavassoio angolo esterno 90° External corner tray slide 90°

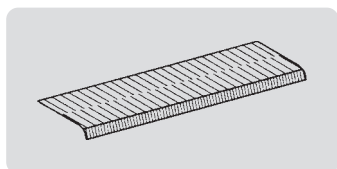
BSS7006	155 x 30	-	-	kw	kw	kw	€	331,00
---------	----------	---	---	----	----	----	---	--------

Scorriavassoio angolo esterno 45° External corner tray slide 45°

BSS7005	155 x 30	-	-	kw	kw	kw	€	295,00
---------	----------	---	---	----	----	----	---	--------

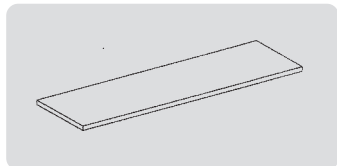
MOD.	A x B x C cm	kg	m ³	GAS	220/240	380/400	EURO
------	--------------	----	----------------	-----	---------	---------	------

ELEMENTI PER SOVRASTRUTTURE - PIANO CURVATO IN CRISTALLO CURVED GLASS SHELF



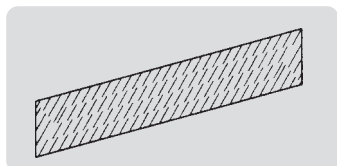
					kw	kw	kw	kw	kw	kw	€
BSS7029	(80)	64 x 30	-	-	-	-	-	-	-	-	229,00
BSS7030	(120)	104 x 30	-	-	-	-	-	-	-	-	265,00
BSS7031	(150)	134 x 30	-	-	-	-	-	-	-	-	277,00
BSS7045	(230)	104+104 x 30	-	-	-	-	-	-	-	-	492,00

PIANO IN ACCIAIO INOX STAINLESS STEEL OVERSHELF



					kw	kw	kw	kw	kw	kw	€
BSS7037	(80)	64 x 28 x 3	-	-	-	-	-	-	-	-	95,00
BSS7038	(120)	104 x 28 x 3	-	-	-	-	-	-	-	-	134,00
BSS7039	(150)	134 x 30 x 3	-	-	-	-	-	-	-	-	153,00
BSS7047	(230)	104+104 x 3	-	-	-	-	-	-	-	-	268,00

CRISTALLO DI PROTEZIONE FRONTALE FRONT GLASS SNEEZE GUARD

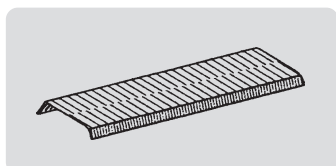


					kw	kw	kw	kw	kw	kw	€
BSS7033	(80)	64 x 30	-	-	-	-	-	-	-	-	163,00
BSS7034	(120)	104 x 30	-	-	-	-	-	-	-	-	193,00
BSS7035	(150)	134 x 30	-	-	-	-	-	-	-	-	204,00
BSS7046	(230)	104+104 x 30	-	-	-	-	-	-	-	-	364,00

DISTRIBUZIONE - SELF SERVICE

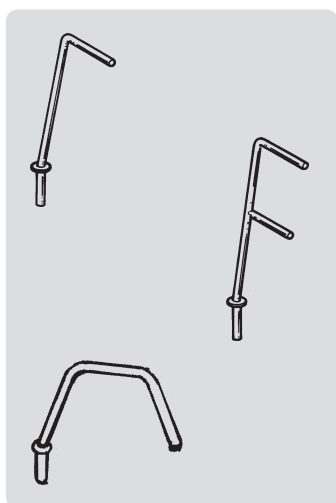
MOD.	A x B x C cm	kg	m ³	GAS	220/240	380/400	EURO
------	--------------	----	----------------	-----	---------	---------	------

PIANO CON DOPPIA CURVATURA IN CRISTALLO PER ISOLA CURVED GLASS SHELF



					kw	kw	kw	€
BSS7055	(120)	104 x 53	120	-	-	-	-	390,00
BSS7056	(150)	134 x 50	150	-	-	-	-	468,00
BSS7057	(230)	104+104 x 53	230	-	-	-	-	772,00

ACCESSORI PER SOVRASTRUTTURE SUPPORT SINGLE SHELF



Supporto piano singolo

Support single shelf

BSS7079	-	-	-	kw	kw	kw	€	94,00
----------------	---	---	---	----	----	----	---	--------------

Supporto piano doppio

Support double shelf

BSS7080	-	-	-	kw	kw	kw	€	150,00
----------------	---	---	---	----	----	----	---	---------------

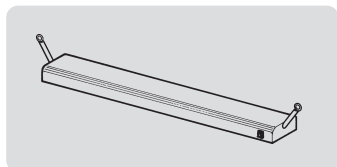
Supporto piano curvato per isola

Support shelf

BSS7053	-	-	-	kw	kw	kw	€	222,00
----------------	---	---	---	----	----	----	---	---------------

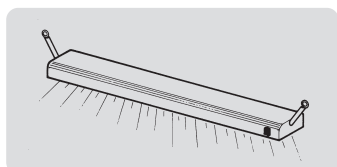
MOD.	A x B x C cm	kg	m ³	GAS	220/240	380/400	EURO
------	--------------	----	----------------	-----	---------	---------	------

ILLUMINAZIONE PER SOVRASTRUTTURE LIGHTING FOR OVERSHELF



				kw	kw	kw	€
BSS7082	80	-	-	-	0,2	-	334,00
BSS7062	120	-	-	-	0,2	-	375,00
BSS7063	150	-	-	-	0,4	-	428,00
BSS7064	230	-	-	-	0,6	-	742,00

RISCALDATORE PER SOVRASTRUTTURE HEATING UNIT FOR OVERSHELF

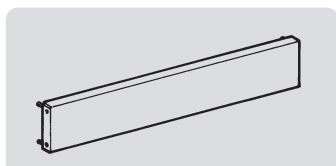


				kw	kw	kw	€
BSS7078	80	-	-	-	0,5	-	448,00
BSS7065	120	-	-	-	1,0	-	578,00
BSS7066	150	-	-	-	1,0	-	645,00
BSS7067	230	-	-	-	1,5	-	1.162,00

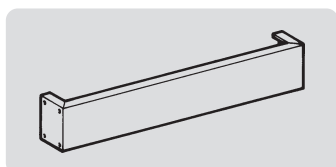
DISTRIBUZIONE - SELF SERVICE

MOD.	A x B x C cm	kg	m ³	GAS	220/240	380/400	EURO
------	--------------	----	----------------	-----	---------	---------	------

ELEMENTI PER ZOCCOLATURA IN ACCIAIO INOX - ZOCCOLATURA FRONTALE LINEARE FRONT PLINTH S/S

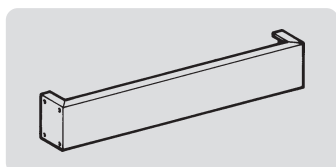


BSS7068	80	-	-	kw	kw	kw	€	54,00
BSS7069	120	-	-	-	-	-	-	61,00
BSS7070	150	-	-	-	-	-	-	76,00
BSS7071	230	-	-	-	-	-	-	113,00



Zoccolo laterale inox Side plinth s/s

BSS7072	-	-	-	kw	kw	kw	€	65,00
----------------	---	---	---	----	----	----	---	--------------

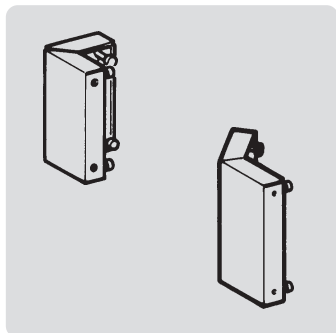


Zoccolo frontale esterno 90° External plinth 90° s/s

BSS7074	-	-	-	kw	kw	kw	€	61,00
----------------	---	---	---	----	----	----	---	--------------

Zoccolo frontale esterno 45° External plinth 45° s/s

BSS7073	-	-	-	kw	kw	kw	€	53,00
----------------	---	---	---	----	----	----	---	--------------



Zoccolo interno 90° Internal plinth 90° s/s

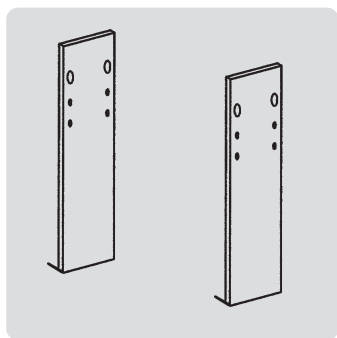
BSS7076	-	-	-	kw	kw	kw	€	46,00
----------------	---	---	---	----	----	----	---	--------------

Zoccolo interno 45° Internal plinth 45° s/s

BSS7075	-	-	-	kw	kw	kw	€	46,00
----------------	---	---	---	----	----	----	---	--------------

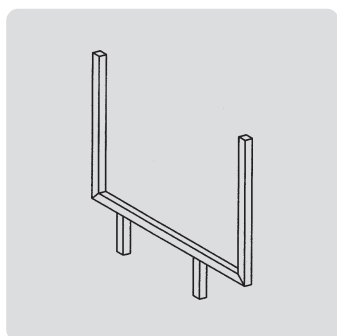
MOD.	A x B x C cm	kg	m ³	GAS	220/240	380/400	EURO
------	--------------	----	----------------	-----	---------	---------	------

ACCESSORI VARI DI COMPLETAMENTO ADDITIONAL ACCESSORIES



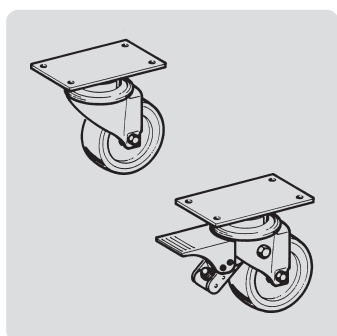
Kit pannello unione elementi
Elements joining panel

BSS7027	-	-	-	kw	kw	kw	€	54,00
----------------	---	---	---	----	----	----	---	--------------



Supporto per elemento a top
Top element support

BSS7077	-	-	-	kw	kw	kw	€	269,00
----------------	---	---	---	----	----	----	---	---------------



Ruota girevole inox ø 125
Stainless steel swivel caster ø 125

BSS0052	-	-	-	kw	kw	kw	€	34,00
----------------	---	---	---	----	----	----	---	--------------

Ruota girevole inox con freno ø 125
Stainless steel swivel caster with brake ø 125

BSS0053	-	-	-	kw	kw	kw	€	41,00
----------------	---	---	---	----	----	----	---	--------------



Elemento portapane da banco
Bread dispenser

TPN7	-	-	-	kw	kw	kw	€	870,00
-------------	---	---	---	----	----	----	---	---------------

DISTRIBUZIONE - SELF SERVICE

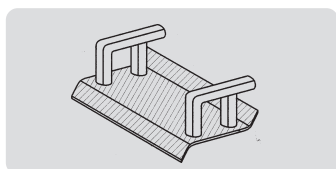
MOD.	A x B x C cm	kg	m ³	GAS	220/240	380/400	EURO
------	--------------	----	----------------	-----	---------	---------	------

ACCESSORI VARI DI COMPLETAMENTO ADDITIONAL ACCESSORIES



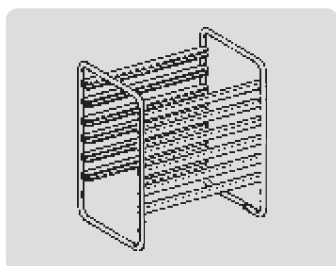
Elemento portabicchieri da banco - 3 piani inclinati
Glass hold element

EPB	55 x 55 x 60	-	-	kw	kw	kw	€	599,00
------------	--------------	---	---	----	----	----	---	---------------



Mensola portapiatti per isola - inox
Dish hold bracket

BSS7058	63 x 28 x 19	-	-	kw	kw	kw	€	204,00
----------------	--------------	---	---	----	----	----	---	---------------



Struttura per teglie self 70
GN 1/1 trays slide self 70

BSS7048	32 x 56 x 35	-	-	kw	kw	kw	€	337,00
----------------	--------------	---	---	----	----	----	---	---------------



Bacinella inox GN con coperchio
Stainless steel GN container with lid

GN11-20C ^{GN1/1}	53 x 32,5 x 20	-	-	kw	kw	kw	€	118,00
GN23-20C ^{GN2/3}	32,2 x 35 x 20	-	-	-	-	-		95,00
GN12-20C ^{GN1/2}	32,5 x 26,5 x 20	-	-	-	-	-		73,00
GN13-20C ^{GN1/3}	32,5 x 17,6 x 20	-	-	-	-	-		60,00



Transenna in tubolare - inox
Guide rail

BSS8050	144 x 90	-	-	kw	kw	kw	€	459,00
BSS8051	210 x 90	-	-	-	-	-		521,00

CARATTERISTICHE - TECHNICAL FEATURES

LA LINEA SELF 80 OFFRE UNA **VASTA GAMMA DI ELEMENTI** PROGETTATI E REALIZZATI PER CONSENTIRE UN' **ORGANIZZAZIONE DEL LAVORO ESTREMAMENTE FLESSIBILE** ED UN UTILIZZO **FUNZIONALE** CON SOLUZIONI PROGETTUALI UN GRADO DI INSERIRSI ARMONIOSAMENTE IN QUALSIASI AMBIENTE, **PERMETTENDO UN USO RAZIONALE DEGLI SPAZI.**

CARATTERISTICHE TECNICHE:

Costruzione interamente in acciaio inox AISI 304 18/10;

Piani di lavoro in acciaio inossidabile AISI 304 18/10 di spessore 15/10, ed H mm 70;

Unione fra i moduli con sistema "TESTA A TESTA", perfettamente a tenuta con ganci a tirante;

Vasche ed involucri raggiati su tutti i lati altamente pulibili;

Gruppi refrigeranti a 2 circuiti ove è presente il vano refrigerato;

Sbrinamento unico programmabile con vaschetta raccogli condensa sotto il vano;

Sistema di refrigerazione statica con serpentina a contatto vasca;

Vetrine refrigerate con illuminazione di serie;

Sistema di riscaldamento statico con resistenza a contatto vasca;

Regolazioni temperature (elementi refrigerati, vetrine e bagnomaria) con termostato digitale;

Carico e scarico acqua (elementi bagnomaria) con sistema elettrico ed elettro-valvola;

THE SELF 80 LINE OFFERS A WIDE ELEMENTS' RANGE ENGINEERED AND MANUFACTURED TO ALLOW **EXTREMELY FLEXIBLE WORK ORGANISATION AND FUNCTIONAL USE**, WITH PROJECTUAL SOLUTIONS CAPABLE TO BE HARMONIOUSLY INTEGRATED INTO **EVERY ENVIRONMENT ALLOWING A SPACES' RATIONAL USE.**

TECHNICAL CHARACTERISTICS:

Entirely stainless steel AISI 304 - 18/10 structure;

Stainless steel AISI 304 working tops, 15/10 thickness and 70 mm height;

Side to side module coupling system, perfectly sealed with stay hooks;

Rounded edges perfectly cleanable tanks and recessed tops;

Refrigerated vano with double circuit refrigerating units;

Unique programmable defrosting system with sweat tray underneath the compartment;

Static refrigeration system with tank touching coil;

Refrigerated display with serial lighting system;

Static heating system with tank touching heating element;

Digital thermostat temperature control (refrigerated elements, displays and bain-marie);

Electro-valved electric water inlet and outlet system (bain-marie elements);

CARATTERISTICHE - TECHNICAL FEATURES

Ampia gamma di accessori di completamento:

Scorri vassoio in tubolare inossidabile altamente igienici;

Strutture ad 1 o 2 piani in acciaio o cristallo temperato;

Illuminazione e riscaldatori per sovrastrutture;

Zoccolatura in acciaio inossidabile di finitura;

PANNELLATURA IN ACCIAIO INOX AISI 304 18/10, di serie;

POSSIBILITA' DI RIVESTIMENTI COLORATI (a richiesta).

Wide range of completing accessories:

Highly hygienic stainless steel tubular tray slide;

Single or double steel or toughened glass structures;

Superstructures lighting and heating systems;

Stainless steel finishing plinth;

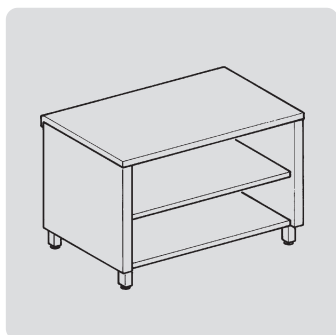
SERIAL STAINLESS STEEL AISI 304 – 18/10 PANELLING;

COLORED COVERINGS (upon request).

DISTRIBUZIONE - SELF SERVICE

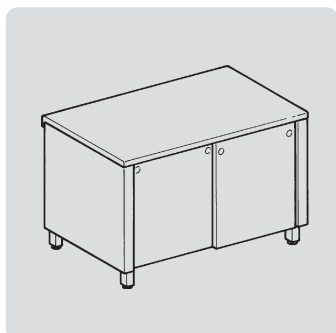
MOD.	A x B x C cm	kg	m ³	GAS	220/240	380/400	EURO
------	--------------	----	----------------	-----	---------	---------	------

ELEMENTI NEUTRI SU VANO A GIORNO NEUTRAL UNIT



				kw	kw	kw	€
EN78	75 x 80 x 90	70	0,82	-	-	-	854,00
EN118	112,5 x 80 x 90	87	1,3	-	-	-	1.052,00
EN158	150 x 80 x 90	95	1,55	-	-	-	1.172,00

ELEMENTI NEUTRI SU ARMADIO NEUTRO NEUTRAL UNIT ON CUPBOARD

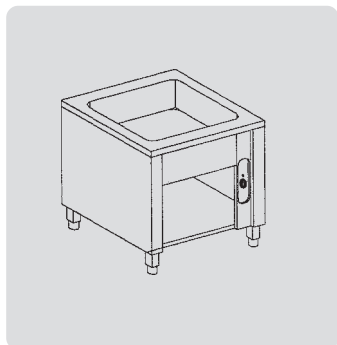


Porte a battente
double-leaf door

				kw	kw	kw	€
EA78	75 x 80 x 90	95	1,55	-	-	-	1.053,00
EA118	112,5 x 80 x 90	95	1,3	-	-	-	1.366,00
EA158	150 x 80 x 90	110	1,55	-	-	-	1.741,00

MOD.	A x B x C cm	kg	m ³	GAS	220/240	380/400	EURO
------	--------------	----	----------------	-----	---------	---------	------

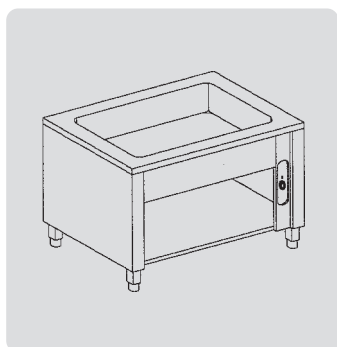
ELEMENTI BAGNOMARIA ELETTRICI SU VANO A GIORNO FOOD WARMER UNIT ON OPEN CUPBOARD



Vasca 2 GN 1/1

Food warmer unit 2 GN 1/1 on open cupboard

EC7801	75 x 80 x 90	78	0,6	kw	-	kw	2,0	kw	-	€	2.875,00
---------------	--------------	----	-----	----	---	----	-----	----	---	---	-----------------



Vasca 3 GN 1/1

Food warmer unit 3 GN 1/1 on open cupboard

EC11801	112,5 x 80 x 90	108	1	kw	-	kw	-	kw	3,0	€	2.983,00
----------------	-----------------	-----	---	----	---	----	---	----	-----	---	-----------------

Vasca 4 GN 1/1

Food warmer unit 4 GN 1/1 on open cupboard

EC15801	150 x 80 x 90	128	1,3	kw	-	kw	-	kw	3,0	€	3.164,00
----------------	---------------	-----	-----	----	---	----	---	----	-----	---	-----------------

Vasca 6 GN 1/1

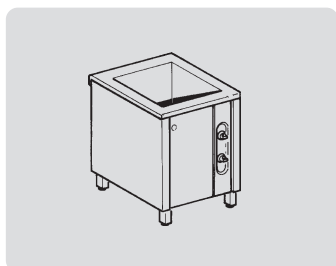
Food warmer unit 6 GN 1/1 on open cupboard

EC22801	225 x 80 x 90	188	1,9	kw	-	kw	-	kw	6,0	€	4.484,00
----------------	---------------	-----	-----	----	---	----	---	----	-----	---	-----------------

DISTRIBUZIONE - SELF SERVICE

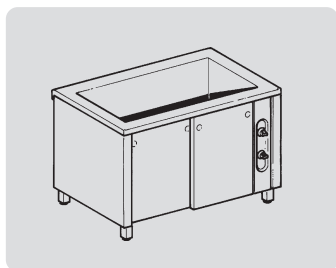
MOD.	A x B x C cm	kg	m ³	GAS	220/240	380/400	EURO
------	--------------	----	----------------	-----	---------	---------	------

ELEMENTI BAGNOMARIA ELETTRICI SU ARMADIO RISCALDATO FOOD WARMER UNIT WITH HOT CUPBOARD



Vasca 2 GN 1/1 - armadio riscaldato
food warmer unit 2 GN 1/1 with hot cupboard

EC7803	75 x 80 x 90	80	0,8	kw	-	kw	3,1	kw	-	€	3.125,00
---------------	--------------	----	-----	----	---	----	-----	----	---	---	-----------------



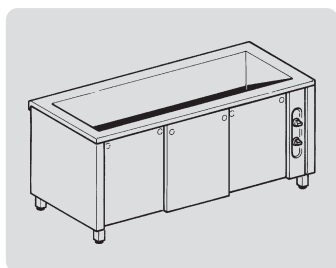
Vasca 3 GN 1/1 - armadio riscaldato
food warmer unit 3 GN 1/1 with hot cupboard

EC11803	112,5 x 80 x 90	110	1,3	kw	-	kw	-	kw	4,6	€	3.267,00
----------------	-----------------	-----	-----	----	---	----	---	----	-----	---	-----------------



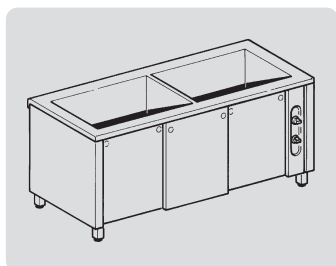
Vasca 4 GN 1/1 - armadio riscaldato
food warmer unit 4 GN 1/1 with hot cupboard

EC15803	150 x 80 x 90	130	1,55	kw	-	kw	-	kw	4,6	€	3.747,00
----------------	---------------	-----	------	----	---	----	---	----	-----	---	-----------------



Vasca 6 GN 1/1 - armadio riscaldato
food warmer unit 6 GN 1/1 with hot cupboard

EC22803	225 x 80 x 90	190	1,91	kw	-	kw	-	kw	8,2	€	5.599,00
----------------	---------------	-----	------	----	---	----	---	----	-----	---	-----------------



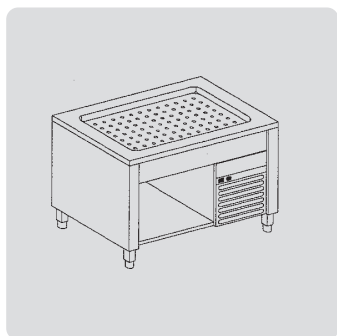
2 vasche - 3+3 GN 1/1 - armadio riscaldato
2 food warmer unit 3+3 GN 1/1 with hot cupboard

EC222803	225 x 80 x 90	200	1,91	kw	-	kw	-	kw	8,2	€	6.118,00
-----------------	---------------	-----	------	----	---	----	---	----	-----	---	-----------------

MOD.	A x B x C cm	kg	m ³	GAS	220/240	380/400	EURO
------	--------------	----	----------------	-----	---------	---------	------

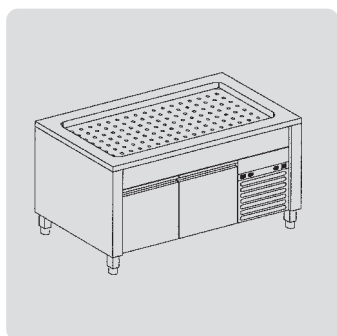
ELEMENTI REFRIGERATI CON PIANO

REFRIGERATED UNIT WITH REFRIGERATED RECESSED TOP ON OPEN CUPBOARD



Vano a giorno
on open cupboard

				kw	kw	kw	€
EF11801	112,5 x 80 x 90	116	1	-	0,5	-	3.833,00
EF15801	150 x 80 x 90	120	1,3	-	0,5	-	4.133,00



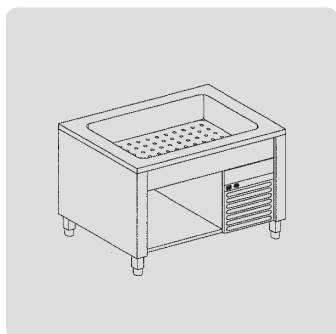
Armadio refrigerato
Refrigerated cupboard

				kw	kw	kw	€
EF15803	150 x 80 x 90	125	1,3	-	0,5	-	4.918,00

DISTRIBUZIONE - SELF SERVICE

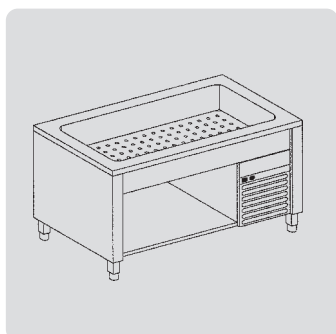
MOD.	A x B x C cm	kg	m ³	GAS	220/240	380/400	EURO
------	--------------	----	----------------	-----	---------	---------	------

ELEMENTI REFRIGERATI CON VASCA SU VANO A GIORNO REFRIGERATED UNIT WITH COLD PAN ON OPEN CUPBOARD



Vasca 3 GN 1/1
Refrigerated unit with cold pan 3 GN 1/1

ER11801	112,5 x 80 x 90	108	1	kw	-	kw	0,5	kw	-	€	4.321,00
----------------	-----------------	-----	---	----	---	----	-----	----	---	---	-----------------



Vasca 4 GN 1/1
Refrigerated unit with cold pan 4 GN 1/1

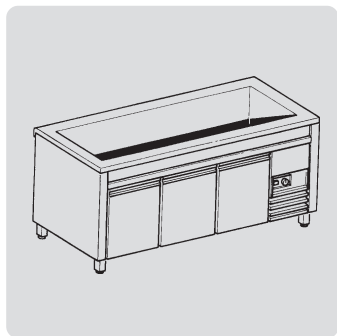
ER15801	150 x 80 x 90	128	1,3	kw	-	kw	0,5	kw	-	€	4.737,00
----------------	---------------	-----	-----	----	---	----	-----	----	---	---	-----------------

Vasca 6 GN 1/1
Refrigerated unit with cold pan 6 GN 1/1

ER22801	225 x 80 x 90	188	1,9	kw	-	kw	0,6	kw	-	€	6.871,00
----------------	---------------	-----	-----	----	---	----	-----	----	---	---	-----------------

MOD.	A x B x C cm	kg	m ³	GAS	220/240	380/400	EURO
------	--------------	----	----------------	-----	---------	---------	------

ELEMENTI REFRIGERATI ELETTRICI SU ARMADIO REFRIGERATO REFRIGERATED UNIT



Vasca 4 GN 1/1

Refrigerated unit with cold pan 4 GN 1/1

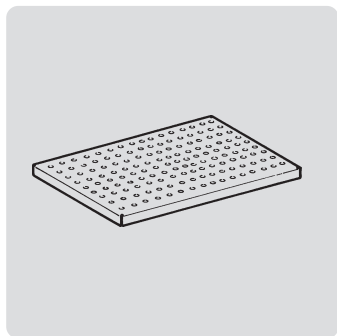
ER15803	150 x 80 x 90	175	1,55	kw	-	kw	0,5	kw	-	€	5.584,00
----------------	---------------	-----	------	----	---	----	-----	----	---	---	-----------------

Vasca 6 GN 1/1

Refrigerated unit with cold pan 6 GN 1/1

ER22803	225 x 80 x 90	270	1,91	kw	-	kw	0,6	kw	-	€	7.919,00
----------------	---------------	-----	------	----	---	----	-----	----	---	---	-----------------

ACCESSORI PER ELEMENTI REFRIGERATI ACCESSORIES FOR REFRIGERATED UNIT



Falso fondo forato per vasca 4 GN1/1

Perforated shelf for basin 4 GN1/1

BSS8008	128 x 51 x 3	-	-	kw	-	kw	-	kw	-	€	156,00
----------------	--------------	---	---	----	---	----	---	----	---	---	---------------

Falso fondo forato per vasca 6 GN1/1

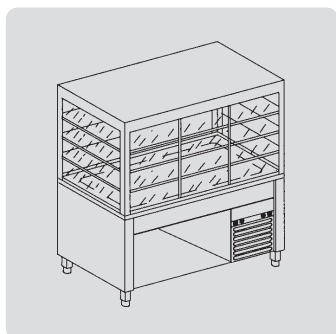
Perforated shelf for basin 6 GN1/1

BSS8009	191 x 51 x 3	-	-	kw	-	kw	-	kw	-	€	237,00
----------------	--------------	---	---	----	---	----	---	----	---	---	---------------

DISTRIBUZIONE - SELF SERVICE

MOD.	A x B x C cm	kg	m ³	GAS	220/240	380/400	EURO
------	--------------	----	----------------	-----	---------	---------	------

ELEMENTI REFRIGERATI CON VASCA E VETRINA REFRIGERATED VITRINE WITH COLD PAN ON OPEN COUNTER

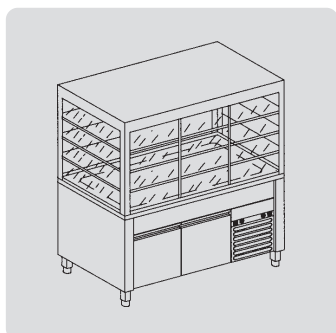


Vasca 4 GN1/1 / vano a giorno
Bowl 4 GN1/1 / on open cupboard

ERV15801	150 x 80 x 160	165	2,4	kw	-	kw	0,5	kw	-	€	9.981,00
-----------------	----------------	-----	-----	----	---	----	-----	----	---	---	-----------------

Vasca 6 GN1/1 / vano a giorno
Bowl 6 GN1/1 / on open cupboard

ERV22801	225 x 80 x 160	300	3,2	kw	-	kw	0,6	kw	-	€	14.016,00
-----------------	----------------	-----	-----	----	---	----	-----	----	---	---	------------------



Vasca 4 GN1/1 / vano refrigerato
Bowl 4 GN1/1 / refrigerated cupboard

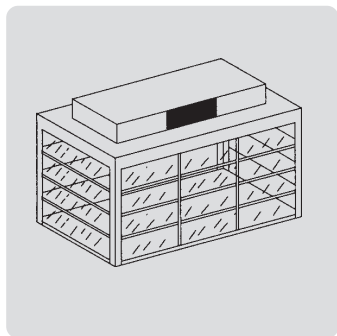
ERV15803	150 x 80 x 160	173	2,4	kw	-	kw	0,5	kw	-	€	10.700,00
-----------------	----------------	-----	-----	----	---	----	-----	----	---	---	------------------

Vasca 4 GN1/1 / vano refrigerato
Bowl 4 GN1/1 / refrigerated cupboard

ERV22803	225 x 80 x 160	330	3,2	kw	-	kw	0,6	kw	-	€	14.826,00
-----------------	----------------	-----	-----	----	---	----	-----	----	---	---	------------------

MOD.	A x B x C cm	kg	m ³	GAS	220/240	380/400	EURO
------	--------------	----	----------------	-----	---------	---------	------

VETRINE REFRIGERATE ELETTRICHE ELECTRIC REFRIGERATED VITRINES



Vetrina refrigerata per 4 GN1/1
Refrigerated vitrine for 4 GN1/1

VTR158	141 x 73 x 110	70	1,44	kw	-	kw	0,6	kw	-	€	6.114,00
---------------	----------------	----	------	----	---	----	-----	----	---	---	-----------------

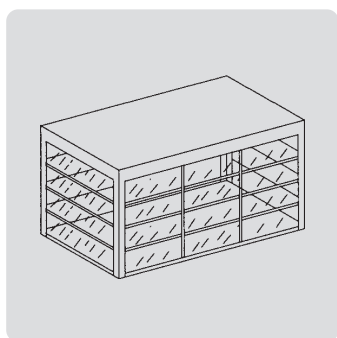
Vetrina refrigerata per 4 GN1/1
Refrigerated vitrine for 4 GN1/1

VTR228	216 x 73 x 110	70	1,44	kw	-	kw	0,6	kw	-	€	8.004,00
---------------	----------------	----	------	----	---	----	-----	----	---	---	-----------------

Vetrina refrigerata con piano di fondo
Refrigerated vitrine with bottom shelf

VTRP158	141 x 73 x 110	70	1,44	kw	-	kw	0,6	kw	-	€	6.302,00
VTRP228	216 x 73 x 110	75	1,44		-		0,6		-		8.972,00

VETRINE NEUTRE (PER ELEMENTI REFRIGERATI) NEUTRAL VITRINES



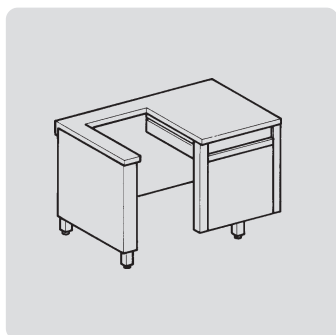
Vitrine neutre per 4 GN1/1
Neutral vitrine for 4 GN1/1

VTN158	141 x 73 x 100	70	1,44	kw	-	kw	0,1	kw	-	€	4.182,00
---------------	----------------	----	------	----	---	----	-----	----	---	---	-----------------

DISTRIBUZIONE - SELF SERVICE

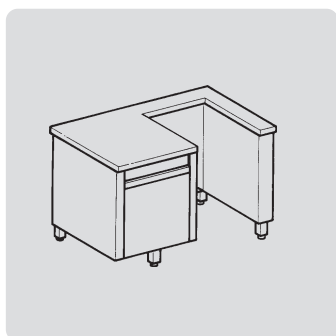
MOD.	A x B x C cm	kg	m ³	GAS	220/240	380/400	EURO
------	--------------	----	----------------	-----	---------	---------	------

ELEMENTI CASSA (COMPLETI DI CASSETTO) SIDE CASHIER UNIT



Cassa destra
Right side cashier unit

ECD8	150 x 80 x 90	105	1,55	kw	kw	kw	€	1.738,00
-------------	---------------	-----	------	----	----	----	---	-----------------

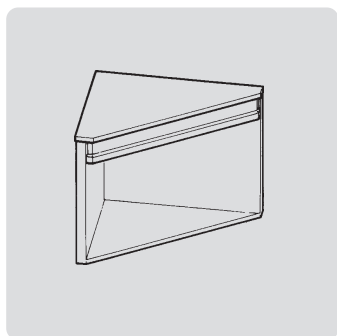


Cassa sinistra
Left side cashier unit

ECS8	150 x 80 x 90	105	1,55	kw	kw	kw	€	1.738,00
-------------	---------------	-----	------	----	----	----	---	-----------------

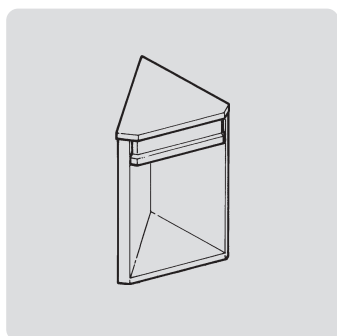
MOD.	A x B x C cm	kg	m ³	GAS	220/240	380/400	EURO
------	--------------	----	----------------	-----	---------	---------	------

ELEMENTI PER ANGOLO CORNER UNIT



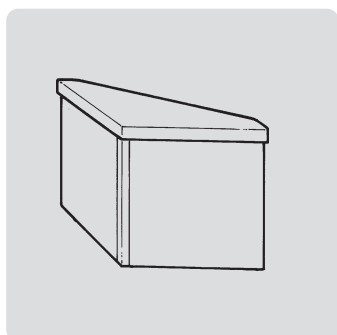
Angolo interno 90°
Internal corner 90°

EAI908	80 x 80 x 90	70	0,70	kw	kw	kw	€	919,00
				-	-	-		



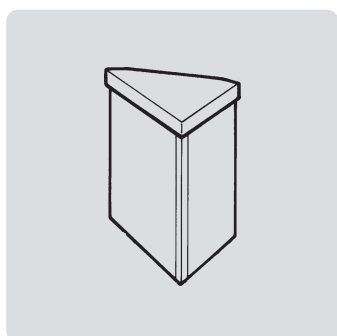
Angolo interno 45°
Internal corner 45°

EAI458	80 x 61,2 x 90	55	0,52	kw	kw	kw	€	852,00
				-	-	-		



Angolo esterno 90°
External corner 90°

EAE908	80 x 80 x 90	70	0,70	kw	kw	kw	€	964,00
				-	-	-		



Angolo esterno 45°
Internal corner 45°

EAE458	80 x 61,2 x 90	55	0,52	kw	kw	kw	€	903,00
				-	-	-		

DISTRIBUZIONE - SELF SERVICE

MOD.	A x B x C cm	kg	m ³	GAS	220/240	380/400	EURO
------	--------------	----	----------------	-----	---------	---------	------

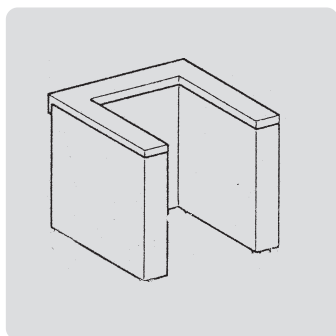
ELEMENTI DISTRIBUZIONE DISTRIBUTION ELEMENT



Portavassoi / posate / pane
Tray / cutlery / bread container unit

PVPPE8	75 x 70 x 158	90	1,21	kw	-	kw	-	kw	-	€	1.928,00
---------------	---------------	----	------	----	---	----	---	----	---	---	-----------------

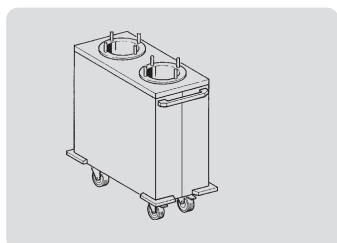
ELEMENTI PER INSERIMENTI CARRELLI FRONT UNITS FOR TROLLEYS



ECR78	75 x 80 x 90	70	0,82	kw	-	kw	-	kw	-	€	996,00
ECR118	112,5 x 80 x 90	80	1,05	-	-	-	-	-	-	€	1.063,00

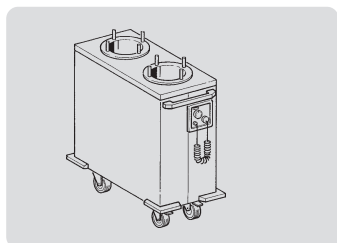
MOD.	A x B x C cm	kg	m ³	GAS	220/240	380/400	EURO
------	--------------	----	----------------	-----	---------	---------	------

CARRELLI PER LINEE SELF SERVICE DISPENSER



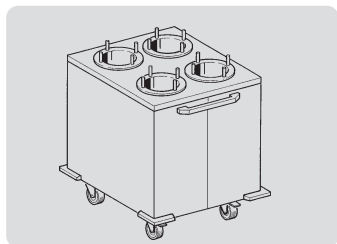
Carrello portapiatti - 2 colonne - 90 piatti - neutro
Dish dispenser neutral

CAP2N	40 x 70 x 90	-	-	kw	kw	kw	€	2.377,00
--------------	--------------	---	---	----	----	----	---	-----------------



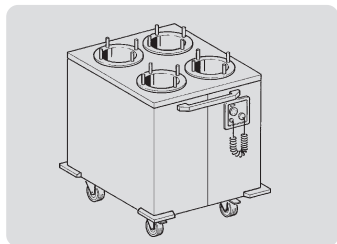
Carrello portapiatti - 2 colonne - 90 piatti - riscald.
Heated dish dispenser

CAP2	40 x 70 x 90	-	-	kw	kw	kw	€	2.745,00
-------------	--------------	---	---	----	----	----	---	-----------------



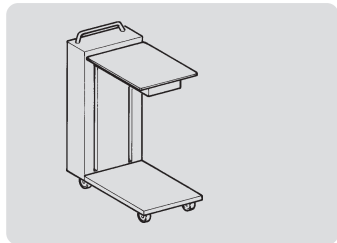
Carrello portapiatti - 4 colonne - 180 piatti - neutro
Dish dispenser neutral

CAP4N	80 x 70 x 90	-	-	kw	kw	kw	€	3.691,00
--------------	--------------	---	---	----	----	----	---	-----------------



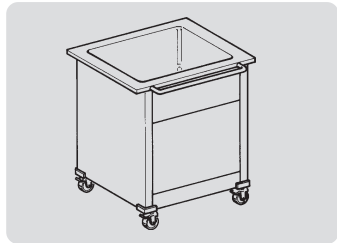
Carrello portapiatti - 4 colonne - 180 piatti - riscald.
Heated dish dispenser

CAP4	80 x 70 x 90	-	-	kw	kw	kw	€	4.500,00
-------------	--------------	---	---	----	----	----	---	-----------------



Carrello vassoi a livello costante
Trays elevator trolley

CAV2	40 x 70 x 90	-	-	kw	kw	kw	€	2.495,00
-------------	--------------	---	---	----	----	----	---	-----------------



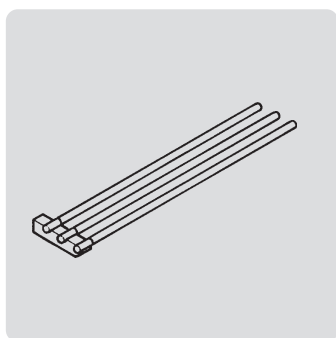
Carrello cesti a livello costante
Recks elevator trolley

CAV4	65 x 77 x 90	-	-	kw	kw	kw	€	2.804,00
-------------	--------------	---	---	----	----	----	---	-----------------

DISTRIBUZIONE - SELF SERVICE

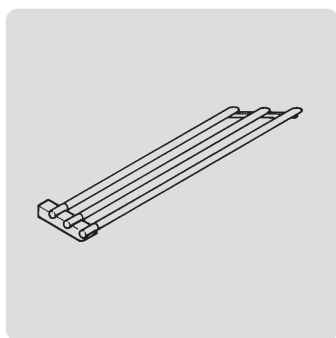
MOD.	A x B x C cm	kg	m ³	GAS	220/240	380/400	EURO
------	--------------	----	----------------	-----	---------	---------	------

ELEMENTI SCORRIVASSOIO IN TUBOLARE INOX - SCORRIVASSOIO LINEARE LINEAR TRAY SLIDE



				kw	kw	kw	€
BSS8011	75 x 30	-	-	-	-	-	212,00
BSS8096	112,5 x 30	-	-	-	-	-	253,00
BSS8013	150 x 30	-	-	-	-	-	269,00
BSS8014	225 x 30	-	-	-	-	-	367,00

SCORRIVASSOIO ANGOLO INTERNO INTERNAL CORNER TRAY SLIDE



angolo 45° sinistro
corner 45° left

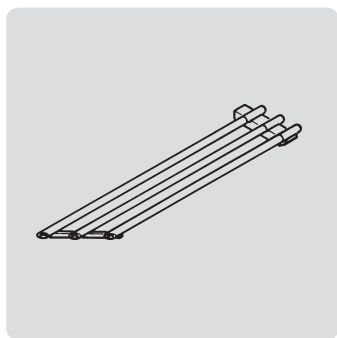
				kw	kw	kw	€
BSS8063	75 x 30	-	-	-	-	-	174,00
BSS8117	112,5 x 30	-	-	-	-	-	228,00
BSS8065	150 x 30	-	-	-	-	-	230,00
BSS8066	225 x 30	-	-	-	-	-	333,00

angolo 90° sinistro
corner 90° left

				kw	kw	kw	€
BSS8059	75 x 30	-	-	-	-	-	194,00
BSS8115	112,5 x 30	-	-	-	-	-	230,00
BSS8061	150 x 30	-	-	-	-	-	259,00
BSS8062	225 x 30	-	-	-	-	-	362,00

MOD.	A x B x C cm	kg	m ³	GAS	220/240	380/400	EURO
------	--------------	----	----------------	-----	---------	---------	------

SCORRIVASSOIO ANGOLO INTERNO INTERNAL CORNER TRAY SLIDE



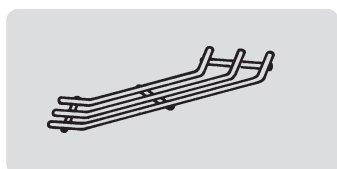
angolo 45° destro corner 45° right

				kw	kw	kw	€
BSS8022	75 x 30	-	-	-	-	-	174,00
BSS8116	112,5 x 30	-	-	-	-	-	228,00
BSS8024	150 x 30	-	-	-	-	-	230,00
BSS8025	225 x 30	-	-	-	-	-	333,00

angolo 90° destro corner 90° right

				kw	kw	kw	€
BSS8018	75 x 30	-	-	-	-	-	194,00
BSS8114	112,5 x 30	-	-	-	-	-	230,00
BSS8020	150 x 30	-	-	-	-	-	259,00
BSS8021	225 x 30	-	-	-	-	-	362,00

SCORRIVASSOIO ANGOLO ESTERNO EXTERNAL CORNER TRAY SLIDE



angolo 90° corner 90°

				kw	kw	kw	€
BSS8016	80 x 75 x 8	-	-	-	-	-	391,00

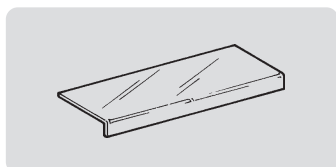
angolo 45° corner 45°

				kw	kw	kw	€
BSS8017	80 x 75 x 8	-	-	-	-	-	362,00

DISTRIBUZIONE - SELF SERVICE

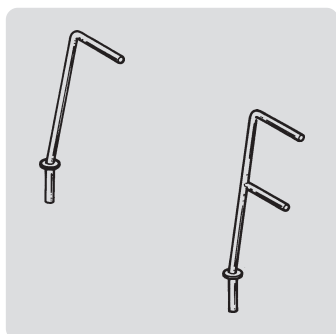
MOD.	A x B x C cm	kg	m ³	GAS	220/240	380/400	EURO
------	--------------	----	----------------	-----	---------	---------	------

ELEMENTI PER SOVRASTRUTTURE - PIANO CURVATO IN CRISTALLO CURVED GLASS SHELF



					kw	kw	kw	€
BSS8027	(75)	69 x 32	-	-	-	-	-	213,00
BSS8097	(1125)	106,5 x 32	-	-	-	-	-	260,00
BSS8029	(150)	144 x 32	-	-	-	-	-	271,00
BSS8054	(225)	106,5+106,5 x 32	-	-	-	-	-	486,00

ACCESSORI PER SOVRASTRUTTURE SUPPORT SINGLE SHELF



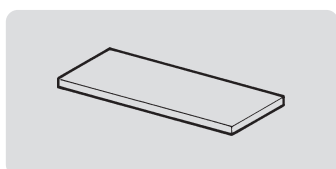
Supporto piano singolo support single shelf

					kw	kw	kw	€
BSS8055		3 x 30 x 35	-	-	-	-	-	94,00

Supporto piano doppio support double shelf

					kw	kw	kw	€
BSS8056		3 x 32 x 60	-	-	-	-	-	150,00

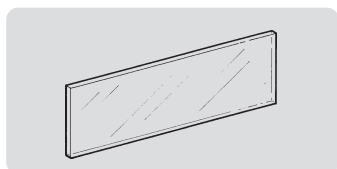
PIANO IN ACCIAIO INOX STAINLESS STEEL OVERSHELF



					kw	kw	kw	€
BSS8078	(75)	69 x 28 x 3	-	-	-	-	-	85,00
BSS8103	(1125)	106,5 x 28 x 3	-	-	-	-	-	125,00
BSS8080	(150)	144 x 28 x 3	-	-	-	-	-	139,00
BSS8081	(225)	106+106 x 28 x 3	-	-	-	-	-	273,00

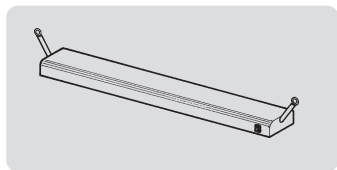
MOD.	A x B x C cm	kg	m ³	GAS	220/240	380/400	EURO
------	--------------	----	----------------	-----	---------	---------	------

CRISTALLO DI PROTEZIONE FRONTALE FRONT GLASS SNEEZE GUARD



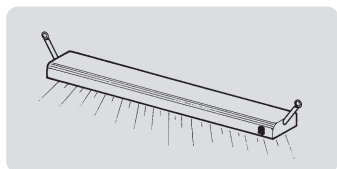
					kw	kw	kw	kw	€
BSS8031	(75)	69 x 24	-	-	-	-	-	-	90,00
BSS8098	(1125)	106,5 x 24	-	-	-	-	-	-	117,00
BSS8033	(150)	144 x 24	-	-	-	-	-	-	124,00
BSS8034	(225)	106,5+106 x 24	-	-	-	-	-	-	236,00

ILLUMINAZIONE PER SOVRASTRUTTURE LIGHTING FOR OVERSHELF



					kw	kw	kw	kw	€
BSS8068		75 x 10	-	-	-	0,2	-	-	367,00
BSS8118		112,5 x 10	-	-	-	0,2	-	-	386,00
BSS8070		150 x 10	-	-	-	0,2	-	-	442,00
BSS8071		255 x 10	-	-	-	0,2	-	-	575,00

RISCALDATORE PER SOVRASTRUTTURE HEATING UNIT FOR OVERSHELF

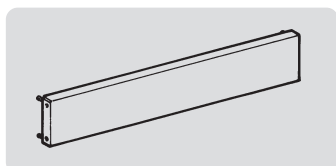


					kw	kw	kw	kw	€
BSS8072		75 x 10	-	-	-	0,5	-	-	493,00
BSS8119		112,5 x 10	-	-	-	1	-	-	575,00
BSS8073		150 x 10	-	-	-	1	-	-	672,00
BSS8074		225 x 10	-	-	-	1,5	-	-	847,00

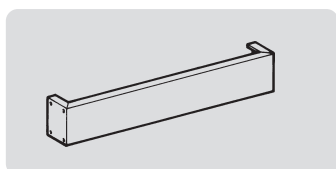
DISTRIBUZIONE - SELF SERVICE

MOD.	A x B x C cm	kg	m ³	GAS	220/240	380/400	EURO
------	--------------	----	----------------	-----	---------	---------	------

ELEMENTI PER ZOCCOLATURA IN ACCIAIO INOX FRONTALE FRONT PLINTH S/S

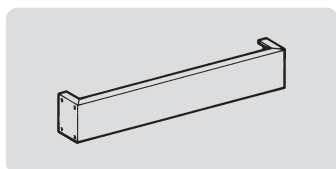


BSS8041	75 x 15 x 1	-	-	kw	kw	kw	€	48,00
BSS8102	112,5 x 15 x 1	-	-	-	-	-	-	67,00
BSS8043	150 x 15 x 1	-	-	-	-	-	-	79,00
BSS8044	225 x 15 x 1	-	-	-	-	-	-	109,00



Zoccolo laterale inox Side plinth S/S

BSS8049	-	-	-	kw	kw	kw	€	68,00
----------------	---	---	---	----	----	----	---	--------------

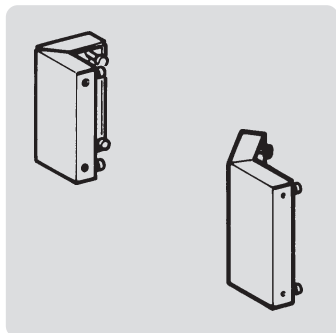


Zoccolo frontale esterno 90° inox External plinth 90° S/S

BSS8045	-	-	-	kw	kw	kw	€	65,00
----------------	---	---	---	----	----	----	---	--------------

Zoccolo frontale esterno 45° inox External plinth 45° S/S

BSS8046	-	-	-	kw	kw	kw	€	57,00
----------------	---	---	---	----	----	----	---	--------------



Zoccolo interno 90° Internal plinth 90° S/S

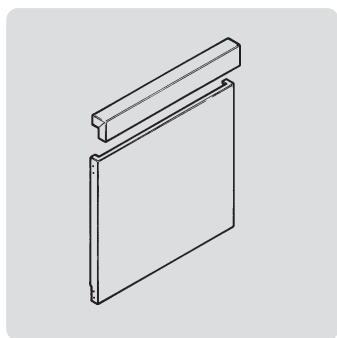
BSS8047	-	-	-	kw	kw	kw	€	24,00
----------------	---	---	---	----	----	----	---	--------------

Zoccolo interno 45° Internal plinth 45° S/S

BSS8048	-	-	-	kw	kw	kw	€	24,00
----------------	---	---	---	----	----	----	---	--------------

MOD.	A x B x C cm	kg	m ³	GAS	220/240	380/400	EURO
------	--------------	----	----------------	-----	---------	---------	------

ACCESSORI VARI DI COMPLETAMENTO ADDITIONAL ACCESSORIES



Testata terminale destra
Terminal side panel right

BSS8001	80 x 75 x 8	-	-	kw	kw	kw	€	336,00
----------------	-------------	---	---	----	----	----	---	---------------

Testata terminale sinistra
Terminal side panel left

BSS8002	80 x 75 x 8	-	-	kw	kw	kw	€	336,00
----------------	-------------	---	---	----	----	----	---	---------------



Tramoggia pane da banco
Bread dispenser

TPN8	70 x 70 x 51	-	-	kw	kw	kw	€	1.078,00
-------------	--------------	---	---	----	----	----	---	-----------------

DISTRIBUZIONE - SELF SERVICE

MOD.	A x B x C cm	kg	m ³	GAS	220/240	380/400	EURO
------	--------------	----	----------------	-----	---------	---------	------

ACCESSORI VARI DI COMPLETAMENTO ADDITIONAL ACCESSORIES



Bacinella inox GN con coperchio
Stainless steel GN container with lid



^{GN1/1} GN11-20C	53 x 32,5 x 20	-	-	kw	kw	kw	€	118,00
^{GN2/3} GN23-20C	32,2 x 35 x 20	-	-	-	-	-		95,00
^{GN1/2} GN12-20C	32,5 x 26,5 x 20	-	-	-	-	-		73,00
^{GN1/3} GN13-20C	32,5 x 17,6 x 20	-	-	-	-	-		60,00



Transenna in tubolare - inox
Guide rail

BSS8050	144 x 90	-	-	kw	kw	kw	€	459,00
BSS8051	210 x 90	-	-	-	-	-		521,00

